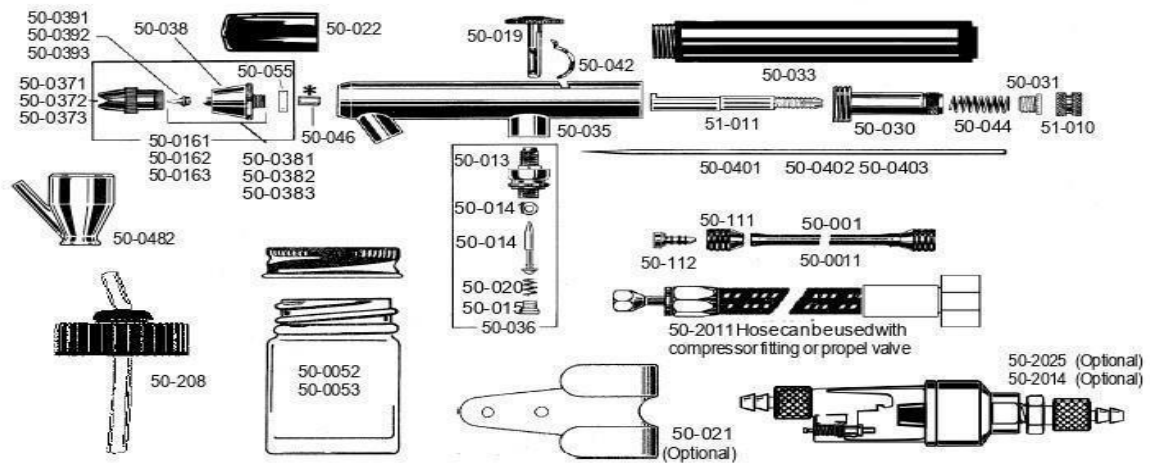


MODEL: 150

REPLACEMENT PARTS/MODEL 150™



PART NO.	DESCRIPTION	PART NO.	DESCRIPTION
50-0011	Eight Foot Vinyl Hose	50-0371	Fine Regulator
50-2011	Ten Foot Air hose	50-0372	Medium Regulator
50-010	Needle Chuck	50-0373	Large Regulator
50-013	Valve Casing	50-0381	Fine Head & Tip
50-014	Plunger & O Ring	50-0382	Medium Head & Tip
50-0141	O Ring	50-0383	Large Head & Tip
50-015	Valve Screw	50-0391	Fine Tip
50-020	Plunger Spring	50-0392	Medium Tip
50-022	Protective Cap	50-0393	Large Tip
50-0161	Head Assembly Fine	50-0401	Fine Needle (1 ring)
50-0162	Head Assembly Medium	50-0402	Medium Needle (2 rings)
50-0163	Head Assembly Large	50-0403	Large Needle (3 rings)
50-030	Tube Shank	50-0164	Fine Conversion Complete
50-031	Spring Screw	50-0165	Medium Conversion Complete
51-010	Needle Chuck	50-0166	Large Conversion Complete

	51-011	Needle Tube		50-0483	1/4oz Colour Cup
	50-033	Handle		50-0052	3/4oz Jar with cover
	50-035	Shell		50-0053	2oz Jar with cover
	50-036	Assembly Complete		50-208	33mm Jar adaptor
	50-019	Trigger		50-021	Airbrush Holder
	50-042	Back Lever		50-2014	Moisture Trap
	50-044	Needle Tube Spring		50-2025	Ten Foot Air hose with Tap
	50-046	PTFE Needle Bearing			
	50-055	PTFE Head Washer			