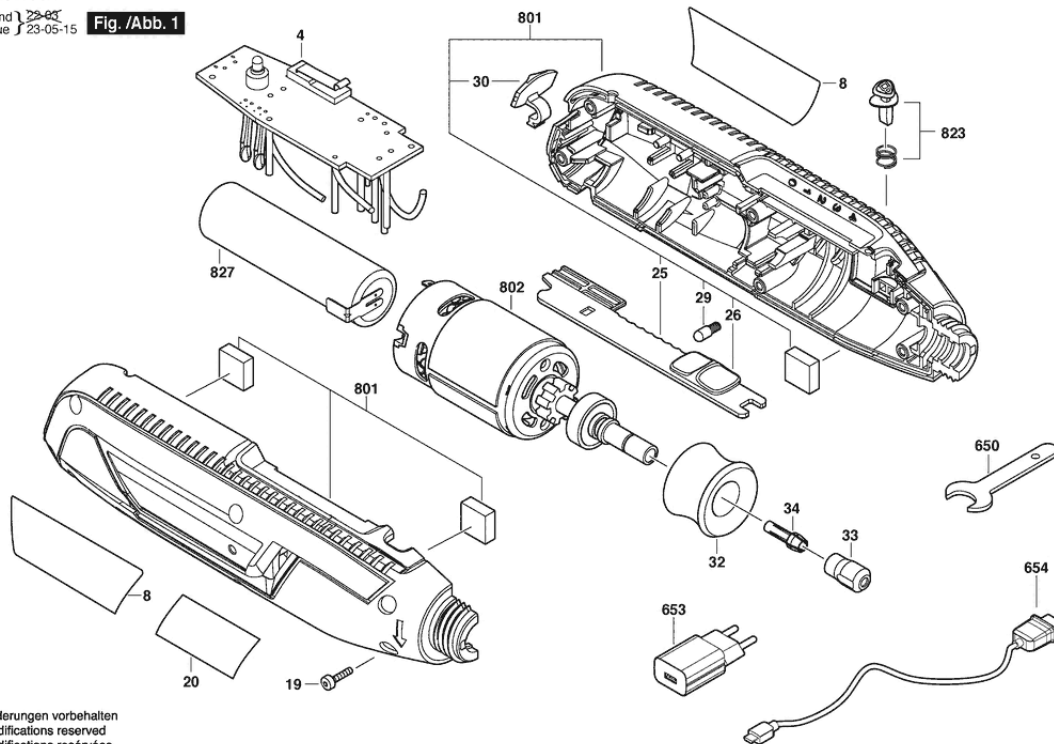


Dremel Lite © 7760-15

F 013 776 077

Stand 1 2015
Issue J 23-05-15

Fig./Abb. 1



Änderungen vorbehalten
Modifications reserved
Modifications réservées
Salvo modificaciones

Item No	Description	Part Number	Item No	Description	Part Number
4	Electronic Assembly	1600A018W7	34	Contour Sleeve 1/8"	480
19	Screw	2610013397	650	Chuck Wrench	2610930692
25	Switch Actuator	1600A0195K	654	Usb Cable USB Type A/Micro USB	1607000DN8
26	Cap	1600A018W8	801	Housing Set	1605A00047
29	Ratchet Cap	2600590006	802	Motor	1605A000DX
30	Dust seal	1660A01A54	823	Shaft Lock	1605A00048

32	Nose	2610013854	827	Battery	1605A000DY
33	Nut	2610014582			