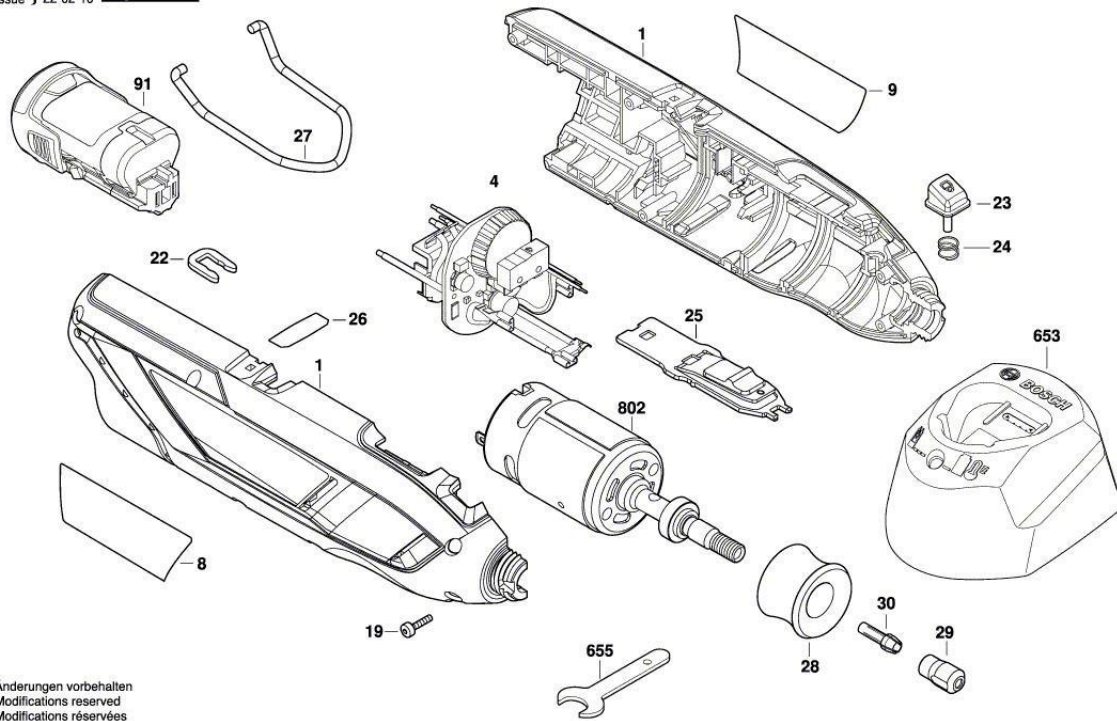


F 013 824 000

Stand } 20-05  
 issue } 22-02-10 **Fig./Abb. 1**



Änderungen vorbehalten  
 Modifications reserved  
 Modifications réservées  
 Salvo modificaciones

ITEM NO.	PART NO.	DESCRIPTION	ITEM NO.	PART NO.	DESCRIPTION
1	2 610 056 815	Housing Set	91	<a href="#">DREMEL 12V, 3AH Li-ion Battery Pack</a>	Battery Pack WW B12V20-01 2.0Ah
4	2 610 056 821	Electronic Assembly	653	<a href="#">2607225689</a>	Fast Charger
19	2 610 013 397	Screw	655	<a href="#">2610930692</a>	Chuck Wrench
23	1 605 A00 034	shaft lock	802	1 605 A00 0FL	Motor
24	2 610 003 435	Spring			
25	2 610 056 822	Switch Actuator			
28	<a href="#">2610013854</a>	Nose			
29	<a href="#">2610014582</a>	Nut			

30	<a href="#">480</a>	contour sleeve 1/8"			
----	---------------------	---------------------	--	--	--