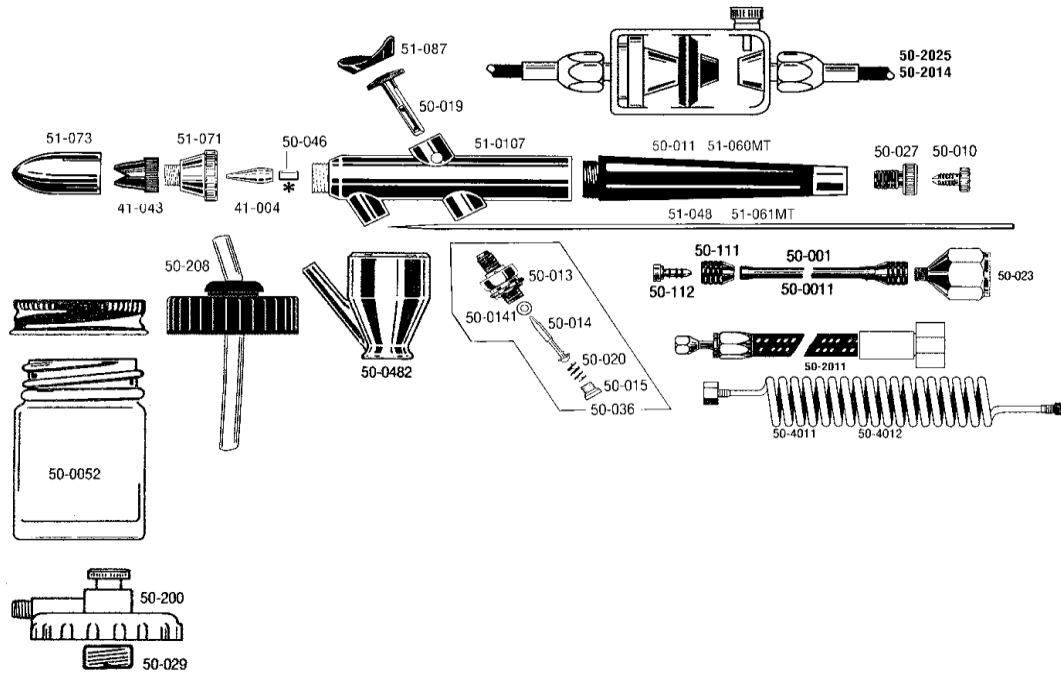


# BADGER 200



Part Number	Name	Part Number	Name
50-001	Five Foot Air Hose	<a href="#">50-036</a>	Valve Assembly
50-0011	Eight Foot Air Hose	<a href="#">51-071</a>	Head
50-2011	10 Ft. Braided Air Hose	<a href="#">41-004</a>	Tip
50-2025	10 Ft. Braided Air Hose w/ Moisture Filter		Guarded Spray Regulator
50-2014	Moisture Filter (only)	<a href="#">50-046</a>	PTFE Needle Bearing
51-0107	Shell (w/Needle Bearing)	<a href="#">50-0483</a>	1/4 oz. Color Cup
50-011	Handle	<a href="#">50-0052</a>	3/4 oz. Paint Jar w/Cover
<a href="#">50-010</a>	Needle Chuck	<a href="#">50-0053</a>	2 oz. Paint Jar w/Cover
<a href="#">50-013</a>	Valve Casing	50-111	Coupling Nut
<a href="#">50-014</a>	Plunger and "O" Ring	50-112	Coupling Nipple

<a href="#">50-0141</a>	O Ring Washer	50-200	Propel Regulator Valve
<a href="#">50-015</a>	Valve Screw	<a href="#">50-208</a>	33mm Fast Blast Jar Adaptor
<a href="#">51-048</a>	Medium Needle		
<a href="#">51-047</a>	Needle Fine		
<a href="#">51-046</a>	Needle Super Detail		
<a href="#">50-019</a>	Trigger		
<a href="#">50-020</a>	Plunger Spring		
51-073	Protective Cap		
50-023	1/4" Pipe Thread Fitting		
50-029	Tire Adaptor		