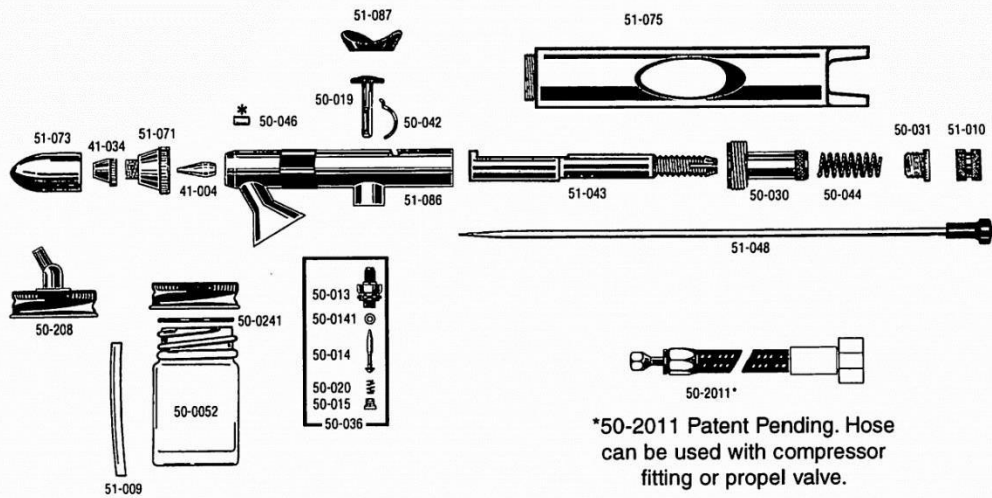


MODEL 360™ *Universal* AIR BRUSH


PART NO.	DESCRIPTION	PART NO.	DESCRIPTION
51-073	Plastic Protective Cap	50-0241	Gasket for 3mm Jar (3pkt)
41-034	Standard Medium Regulator	50-013	Valve Casing
51-071	Air Head Cap	50-0141	O-Ring Washer
41-004	Medium Tip	50-014	Plunger and O-Ring
50-046	PTFE Needle Bearing	50-020	Plunger Spring
50-019	Trigger	50-015	Valve Screw
51-087	Soft Trigger Pad	50-036	Complete Assembled Valve
50-042	Back Lever	51-048	Standard Medium Needle
51-086	Airbrush Body	50-2011	Braided Hose 3/m10' with 1/4" Female Fitting
51-043	Needle Tube		
51-075	Counter Balance Handle		
50-030	Tube Shank		
50-044	Needle Tube Spring		
50-031	Needle Spring Screw		
51-010	Needle Chuck		
50-208	'Fast Blast' Jar Adaptor		

	51-009	Siphon Tube			
	50-0052	3/4oz Glass Jar w/cover			