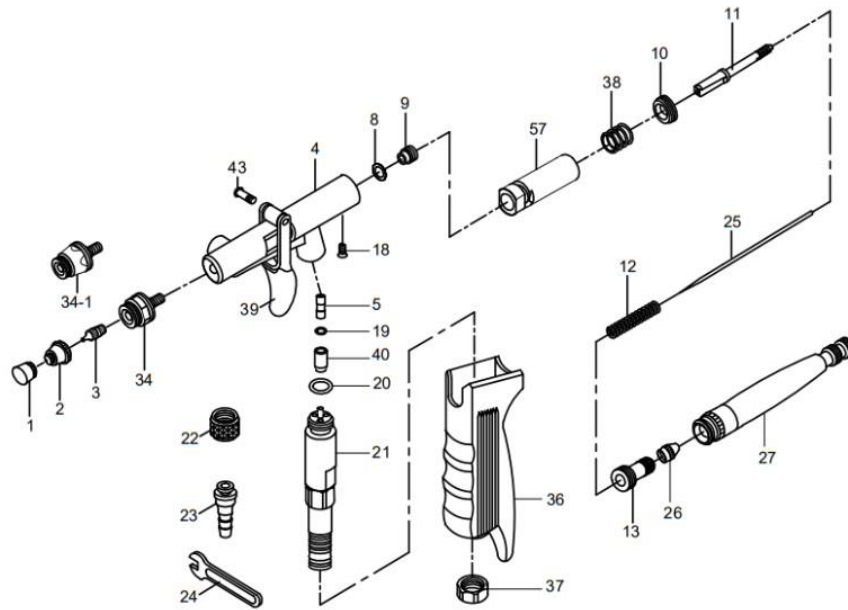
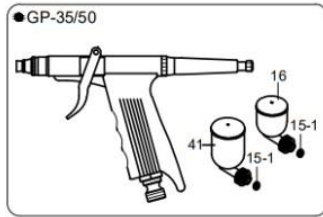


AIRBRUSH PARTS

● GP-Series (GP-35,GP-50)



1a	Needle Cap GP35	13	Spring case	26	Needle chucking nut
1b	SP.0022 Needle Cap GP50	15-1	O-ring for side cup (7cc/15cc)	27	Handle
2a	SP.0040 Nozzle Cap GP35	16	7cc detachable side cup	34	Nozzle plate 0.5mm
2b	SP.0041 Nozzle Cap GP50	18	Set screw	34-1	Nozzle plate 0.35mm
3a	SP.0058 Nozzle GP35	19	Piston o-ring	36	Grip
3b	GP50-30 Nozzle GP50	20	Air valve o-ring	37	Nut
4	Body	21	Air valve	38	Slider spring
5	Piston	22	Hose connector nut	39	Trigger
8	Piston O-ring for needle guide	23	Hose connector	40	Sleeve air valve
9	Needle guide	24a	Wrench	41	15cc detachable side cup
10	Lever screw	25a	SP.0384 Needle GP35	43	Set screw

11	Needle chucking guide	25b	SP.0385 Needle GP50	57	Slide cam
12	Spring				