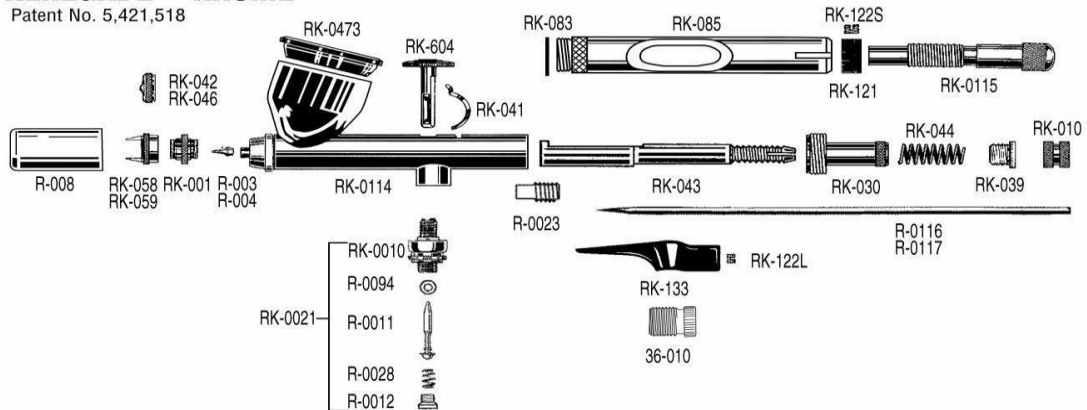


RENEGADE™ KROME™

Patent No. 5,421,518



PART NO.	DESCRIPTION	PART NO.	DESCRIPTION
RK-001	Hold down ring	R-0023	Screw (Needle Seal Adjust)
R-003	Ultra fine tip (Krome)	RK-083	O Ring for Handle
R-004	Fine Tip	RK-085	Brass Handle for Krome
R-008	Protective Cap	RK-121	Collar
RK-042	Ultra Fine Spray Regulator	RK-122S	Collar Set Screw
RK-046	Fine Spray Regulator	RK-0115	Rear Adjusting Screw
RK-058	Ultra Fine Spray Regulator w/protective Arm	RK-043	Needle Tube Spring
RK-059	Fine Spray Regulator w/protective Arm	RK-030	Tube Shank
RK-0473	Colour Cup Cap	RK-044	Needle Tube Spring
RK-0010	Valve Casing	RK-039	Spring Screw
R-0094	O Ring	RK-010	Needle Chuck lock nut
R-0011	Valve Plunger & O Ring	R-0116	Ultra Fine Needle
R-0028	Valve Screw	R-0117	Fine Needle
R-0012	Valve Screw	R-060	Ultra Fine Conversion
RK-0021	Complete Assembled Valve	R-061	Fine Conversion
RK-604	Trigger	RK-122L	Finger rest set screw

	RK-041	Back Lever		RK-133	Finger/Thumb rest
	RK-0114	Krome Shell		36-010	Badger to Iwata Hose