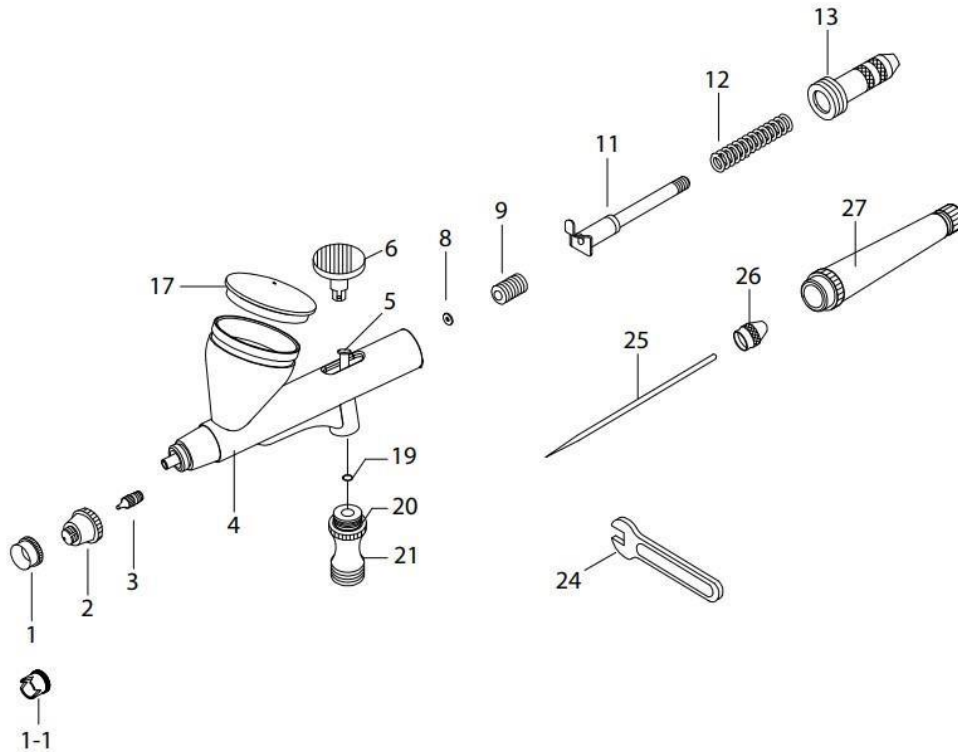


AIRBRUSH PARTS

MAX-3 - 0.3mm nozzle size
 MAX-4 - 0.4mm nozzle size



Index	Description	SKU
1	Needle Cap	SP.0326
1-1	Extra Crown Shape Needle Cap (for MAX3 & 4)	SP.0457
2	Nozzle Cap 0.3mm (for MAX-3)	SP.0046
2	Nozzle Cap 0.4mm (for MAX-4)	SP.0458
3	Nozzle 0.3mm (for MAX-3)	SP.0064
3	Nozzle 0.4mm (for MAX-4)	SP.0459

Index	Description	SKU
6	Push Button	SP.0330
8	O-ring for needle guide	SP.0101
9	Needle Guide Screw	SP.0194
11	Needle Chucking Guide	SP.0269
12	Needle Spring	SP.0298
13	Spring Case	PART13

Index	Description	SKU
20	Air Valve O-ring	PART20
21	Air Valve	SP.0214
24	Wrench	SP.0234
25	Needle 0.3mm (for MAX-3)	SP.0399
25	Needle 0.4mm (for MAX-4)	SP.0470

5	Piston	SP.0367
4	Body	PART4

19	Piston O-ring	SP.0119
17	Cup Cover	-

26	Needle Chucking Nut	SP.255
27	Handle	PART27